



QUIET P4 12V+SATA POWER SUPPLIES PFC OPTION



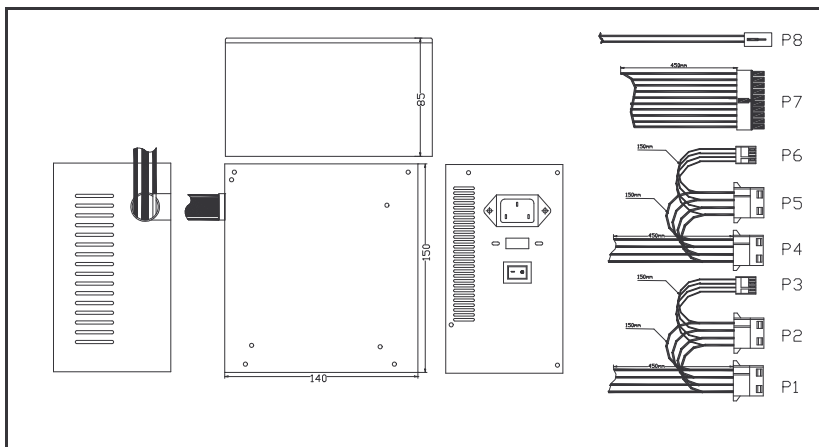
MODEL	W	DC OUTPUT						SAFETY
		+5V	+12V	-5V	-12V	+3.3V	+5VSB	
KY-250ATX	150W	11A	4.5A	0.3A	1A	10A	2A	SAFETY
KY-280ATX	180W	14A	5.5A	0.3A	1A	10A	2A	SAFETY
KY-300ATX	200W	12A	9A	0.3A	1A	12A	2A	SAFETY
KY-330ATX	230W	14A	8A	0.3A	1A	15A	2A	SAFETY
KY-350ATX	250W	15A	9A	0.3A	1A	15A	2A	SAFETY
KY-400ATX	300W	20A	12A	0.3A	1A	16A	2A	SAFETY
KYP-250ATX	150W	10A	6A	0.5A	0.5A	5A	2A	3C
KYP-280ATX	180W	13A	6A	0.5A	0.5A	5A	2A	3C
KYP-300ATX	200W	12A	9A	0.5A	0.5A	5A	2A	3C
KYP-330ATX	230W	15A	10A	0.5A	0.5A	5A	2A	3C
KYP-350ATX	250W	15A	10A	0.5A	0.5A	14A	2A	3C
KYP-375ATX	300W	20A	10A	0.5A	0.5A	20A	2A	3C
KYP-250ATXN	150W	10A	6A	0.5A	0.5A	5A	2A	NO SAFETY
KYP-280ATXN	180W	13A	6A	0.5A	0.5A	5A	2A	NO SAFETY
KYP-300ATXN	200W	12A	9A	0.5A	0.5A	5A	2A	NO SAFETY
KYP-330ATXN	230W	15A	8A	0.5A	0.5A	10A	2A	NO SAFETY
KYP-350ATXN	250W	14A	10A	0.5A	0.5A	10A	2A	NO SAFETY
KYP-400ATXN	300W	20A	10A	0.5A	0.5A	20A	2A	NO SAFETY

SPECIFICATIONS :

- AC INPUT VOLTAGE** : 90 TO 132 VAC OR 180 TO 264 VAC
(USER SELECT SW)
- AC INPUT FREQUENCY** : 50/60Hz
- AC INPUT CURRENT** : 6A RMS MAX. FOR 115 VAC
3A RMS MAX. FOR 230 VAC
- MAXIMUM INRUSH CURRENT** : 50A FOR 115 VAC COLD START
100A FOR 230 VAC COLD START
- LINE REGULATION** : ±1%
- LOAD REGULATION** : ±5% (ONLY -5V, -12V±10%)
- MINIMUM CURRENT** : +5V/2.0A +12V/1.0A
- RIPPLE&NOISE** : +5V/80mV +5V/80mV +12V/150mV
-5V/200mV -12V/240mV
- EFFICIENCY** : 75% MINIMUM AT FULL LOAD
- OPERATING TEMPERATURE** : 0°C~+50°C CENTIGRADE
- STORAGE TEMPERATURE** : -40°C~+85°C CENTIGRADE
- STORAGE HUMIDITY** : 10%~90%
- MEAN TIME BETWEEN FAILURE** : 20K HOURS MINIMUM AT 25°C AMBIENT
- SIZE(L*W*H)** : 150mm*140mm*85mm

KYP-ATX:3C KY-ATX : SAFETY ATXN : NO SAFETY

CONNECTOR	PIN	WIRE		OUTPUT VOLTAGE
		AWG	COLOR	
P7	1	#20/18	ORANGE	+3.3VDC
	2	#20/18	ORANGE	+3.3VDC
	3	#20/18	BLACK	COM
	4	#20/18	RED	+5VDC
	5	#20/18	BLACK	COM
	6	#20/18	RED	+5VDC
	7	#20/18	BLACK	COM
	8	#22	GRAY	POK
	9	#20/18	PURPLE	+5Vstb
	10	#20/18	YELLOW	+12VDC
	11	#20/18	ORANGE	+3.3VDC
	12	#20/18	BLUE	-12VDC
	13	#20/18	BLACK	CIN
	14	#22	GREEN	PS-ON
	15	#20/18	BLACK	COM
	16	#20/18	BLACK	COM
	17	#20/18	BLACK	COM
	18	#20/18	WHITE	-5V
	19	#20/18	RED	+5VDC
	20	#20/18	RED	+5VDC
P1,2,4,5.	1	#20/18	YELLOW	+12VDC
	2	#20/18	BLACK	COM
	3	#20/18	BLACK	COM
	4	#20/18	RED	+5VDC
P3,6.	1	#22	YELLOW	+12VDC
	2	#22	BLACK	COM
	3	#22	BLACK	COM
	4	#22	RED	+5VDC
P8	1	#20/18	BLACK	COM
	2	#20/18	BLACK	COM
	3	#20/18	YELLOW	+12V
	4	#20/18	YELLOW	+12V



MAX POWER INTERNATIONAL (HK) CO.LTD

TEL : 86-769-7388591, 7388593, 7388864, 7380257, 7326019

FAX : 86-769-7303146

E-mail : mp@dg-maxpower.com

Http://www.dg-maxpower.com

Company Add : No.46,Luwei Village, Sanxing Industrial Area, Qingxi Town, Dongguan City, Guangdong Province, China

Factory Add : SongGang industry Area QingXi,DongGuan ,China

